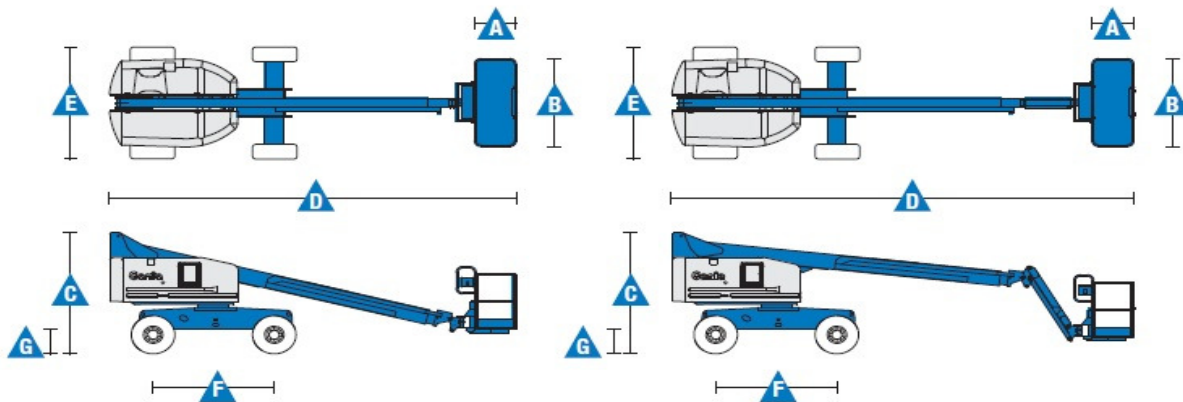




**Address**  
 46 Prince St  
 Danvers, MA 01923

**Phone**  
 978-762-RENT (7368)

## 40ft RT Boom Lift Dimension Sheet



## Specifications

Models	S-40
Measurements	US
Working height maximum*	46 ft
Platform height maximum	40 ft
Horizontal reach maximum	31 ft 8 in
Below ground reach	3 ft 2 in
<b>A</b> Platform length - 8 ft model	3 ft
Platform length - 6 ft model	2 ft 6 in
<b>B</b> Platform width - 8 ft model	8 ft
Platform width - 6 ft model	6 ft
<b>C</b> Height - stowed	8 ft 2 in
- stowed with Trax option	8 ft 2 in
<b>D</b> Length - stowed	24 ft 3 in
- transport (jib tucked under)	—
<b>E</b> Width - standard tires	7 ft 6 in
- Trax option	7 ft 4 in
<b>F</b> Wheelbase	7 ft 3 in
<b>G</b> Ground clearance - center	1 ft .5 in