

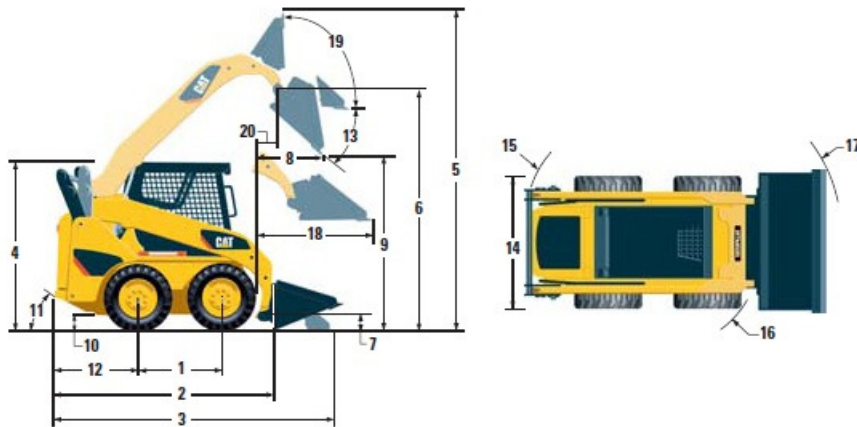


MasterRents

Address
46 Prince St
Danvers, MA 01923

Phone
978-762-RENT (7368)

CAT 242 No Track Skid Steer Dimension Sheet



Dimensions*

| | | |
|--|---------|----------|
| 1 Wheelbase | 1094 mm | 43.1 in |
| 2 Length w/o Bucket | 2760 mm | 108.7 in |
| 3 Length w/Bucket on Ground | 3437 mm | 135.3 in |
| 4 Height to Top of Cab | 2019 mm | 79 in |
| 5 Maximum Overall Height | 3918 mm | 154 in |
| 6 Bucket Pin Height at Maximum Lift | 3086 mm | 121 in |
| 7 Bucket Pin Height at Carry Position | 228 mm | 9 in |
| 8 Reach at Maximum Lift and Dump | 622 mm | 24 in |
| 9 Clearance at Maximum Lift and Dump | 2333 mm | 92 in |
| 10 Ground Clearance | 178 mm | 7 in |
| 11 Departure Angle | 28° | |
| 12 Bumper Overhang Behind Rear Axle | 989 mm | 39 in |
| 13 Maximum Dump Angle | 50° | |
| 14 Vehicle Width over Tires | 1676 mm | 66 in |
| 15 Turning Radius from Center – Machine Rear | 1556 mm | 61 in |
| 16 Turning Radius from Center – Coupler | 1311 mm | 52 in |
| 17 Turning Radius from Center – Bucket | 2092 mm | 82 in |
| 18 Maximum Reach w/Arms Parallel to Ground | 1216 mm | 48 in |
| 19 Rack Back Angle at Maximum Height | 88° | |
| 20 Bucket Pin Reach at Maximum Lift | 254 mm | 10 in |