

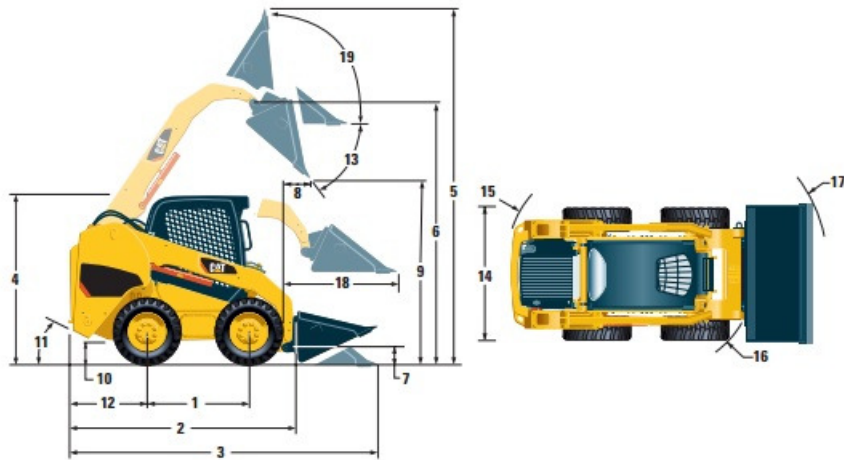


**MasterRents**

**Address**  
46 Prince St  
Danvers, MA 01923

**Phone**  
978-762-RENT (7368)

## CAT 246 No Track Skid Steer Dimension Sheet



### Dimensions

1 Wheelbase	1240 mm	48.8 in
2 Length w/o Bucket	2979 mm	117.2 in
3 Length w/Bucket on Ground	3692 mm	145.3 in
4 Height to Top of Cab	2104 mm	82.8 in
5 Max. Overall Height	3998 mm	157.4 in
6 Bucket Pin Height at Max. Lift	3122 mm	122.9 in
7 Bucket Pin Height at Carry Position	200 mm	7.8 in
8 Reach at Max. Lift and Dump	600 mm	23.6 in
9 Clearance at Max. Lift and Dump	2425 mm	95.4 in
10 Ground Clearance	225 mm	8.8 in
11 Departure Angle	26°	
12 Bumper Overhang Behind Rear Axle	1089 mm	42.8 in
13 Maximum Dump Angle	40°	
14 Vehicle Width over Tires	1676 mm	66 in
15 Turning Radius from Center – Machine Rear	1730 mm	68.1 in
16 Turning Radius from Center – Coupler	1386 mm	54.6 in
17 Turning Radius from Center – Bucket	2167 mm	85.3 in
18 Max. Reach w/Arms Parallel to Ground	1388 mm	54.6 in
19 Rack Back Angle at Max. Height	85°	