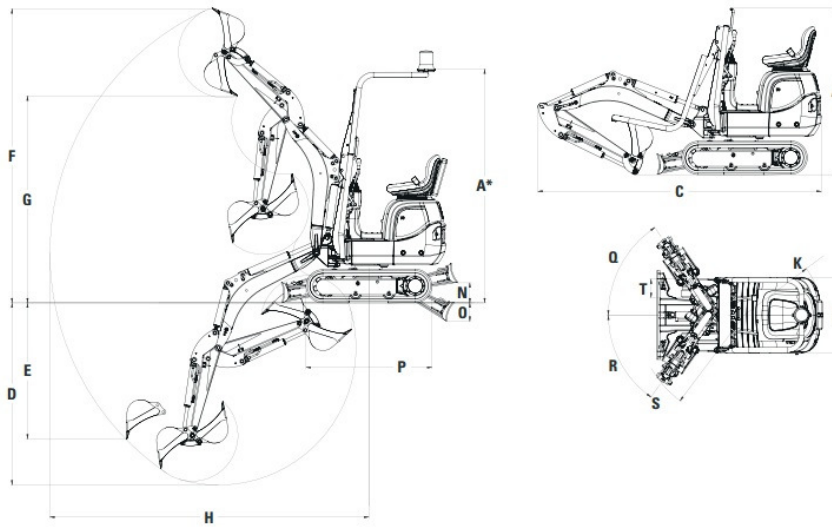




**Address**  
 46 Prince St  
 Danvers, MA 01923

**Phone**  
 978-762-RENT (7368)

## CAT 300.9 Dimension Sheet



<b>A</b>	Height	1507 mm	4 ft 11 in
<b>A*</b>	Height	2276 mm	7 ft 6 in
<b>B</b>	Width	730 mm	2 ft 5 in
	Undercarriage width – Retracted	700 mm	2 ft 4 in
	Undercarriage width – Extended	860 mm	2 ft 10 in
<b>C</b>	Transport length (arm lowered)	2746 mm	9 ft 0 in
<b>D</b>	Maximum digging depth	1731 mm	5 ft 8 in
<b>E</b>	Maximum vertical dig depth	1349 mm	4 ft 5 in
<b>F</b>	Maximum dig height	2863 mm	9 ft 5 in
<b>G</b>	Maximum dump height	2035 mm	6 ft 8 in
<b>H</b>	Maximum reach	3074 mm	10 ft 1 in
	Maximum reach at ground level	3028 mm	9 ft 11 in
<b>K</b>	Tail swing radius	747 mm	2 ft 5 in
<b>N</b>	Maximum dozer lift height	197 mm	8 in
<b>O</b>	Maximum dozer dig depth	174 mm	7 in
<b>P</b>	Length of undercarriage	1220 mm	4 ft 0 in
<b>Q</b>	Boom swing angle (Right)		56°
<b>R</b>	Boom swing angle (Left)		55°
<b>S</b>	Minimum front linkage swing radius	1150 mm	3 ft 9 in
<b>T</b>	Track width	180 mm	7 in