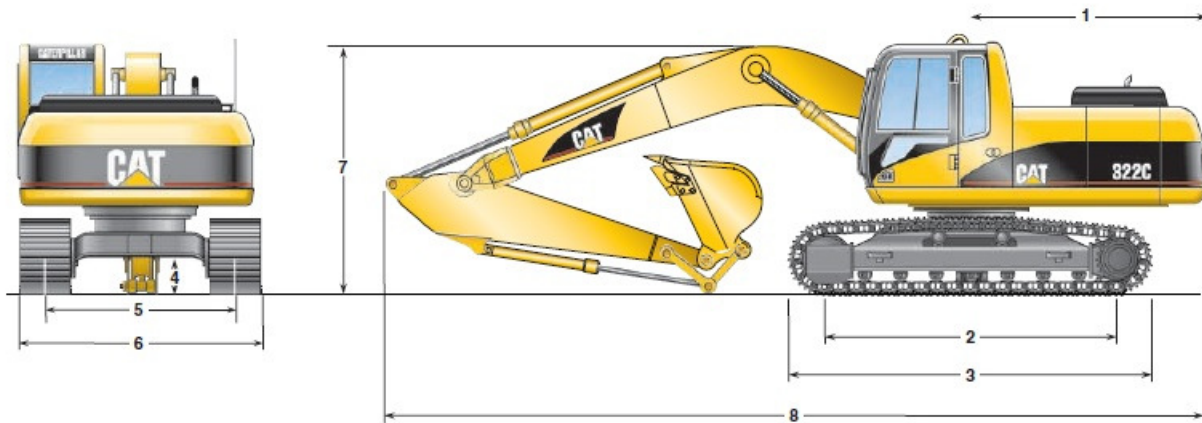




**Address**  
46 Prince St  
Danvers, MA 01923

**Phone**  
978-762-RENT (7368)

## CAT 322 Dimension Sheet



Boom Options	Reach — 5.9 m (19'4")	Reach — 5.9 m (19'4")	Reach — 5.9 m (19'4")	Mass — 5.3 m (17'5")	Long Reach — 10.2 m (33'5")
<b>Stick Options</b>	<b>R3.6B m (11'10")</b>	<b>R2.95S m (9'8")</b>	<b>R2.5S m (8'2")</b>	<b>M2.5D m (8'2")</b>	<b>7.85 m (25'9")</b>
<b>1 Tail swing radius</b>	2970 mm (9'9")	2970 mm (9'9")	2970 mm (9'9")	2970 mm (9'9")	2970 mm (9'9")
<b>2 Length to centers of rollers</b>					
Long	3830 mm (12'7")	3830 mm (12'7")	3830 mm (12'7")	3830 mm (12'7")	3830 mm (12'7")
<b>3 Track length</b>					
Long	4640 mm (15'3")	4640 mm (15'3")	4640 mm (15'3")	4640 mm (15'3")	4640 mm (15'3")
<b>4 Ground clearance</b>	470 mm (1'7")	470 mm (1'7")	470 mm (1'7")	470 mm (1'7")	470 mm (1'7")
<b>5 Track gauge</b>					
Long	2590 mm (8'6")	2590 mm (8'6")	2590 mm (8'6")	2590 mm (8'6")	2590 mm (8'6")
<b>6 Shipping width — Long with standard shoe</b>					
800 mm (32")	3390 mm (11'1")	3390 mm (11'1")	3390 mm (11'1")	3390 mm (11'1")	3390 mm (11'1")
<b>Shipping width — Long with optional shoe</b>					
600 mm (24")	3190 mm (10'6")	3190 mm (10'6")	3190 mm (10'6")	3190 mm (10'6")	3190 mm (10'6")
700 mm (28")	3290 mm (10'10")	3290 mm (10'10")	3290 mm (10'10")	3290 mm (10'10")	3290 mm (10'10")
<b>7 Shipping height</b>	3410 mm (11'2")	3120 mm (10'3")	3280 mm (10'9")	3450 mm (11'4")	3170 mm (10'5")
<b>8 Shipping length</b>	9960 mm (32'8")	9960 mm (32'8")	10 000 mm (32'10")	9400 mm (30'10")	14 240 mm (46'9")
<b>Shipping Weight</b>	23 680 kg* (52,200 lb)	23 780 kg* (52,400 lb)	24 190 kg* (53,300 lb)	24 790 kg* (54,600 lb)	26 980 kg** (59,400 lb)

Note: Shipping weights include: lubricants, coolant, 10% fuel, bucket linkage, specified bucket and long tips.

Operating weight includes shipping weight plus 305 kg (673 lb) of fuel and 75 kg (165 lb) for the operator.

\* Weights shown are for machines equipped with a 1219 mm (48") GP bucket.

\*\* Weights shown are for machines equipped with a 1142 mm (45") DC bucket.