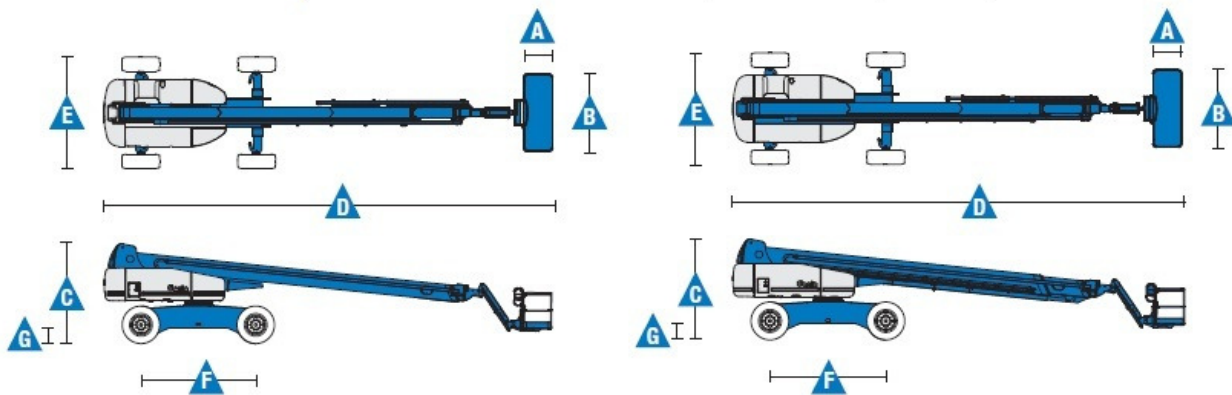




Address
 46 Prince St
 Danvers, MA 01923

Phone
 978-762-RENT (7368)

125ft RT Boom Lift Dimension Sheet



Specifications

Models	S-125
Measurements	US
Working height maximum*	131 ft 2 in
Platform height maximum	125 ft 2 in
Horizontal reach maximum	80 ft
Below ground reach	10 ft 9 in
A Platform length - 8 ft model	3 ft
Platform length - 6 ft model	2 ft 6 in
B Platform width - 8 ft model	8 ft
Platform width - 6 ft model	6 ft
C Height - stowed	10 ft 1 in
D Length - stowed	46 ft 9 in
Length - transport (jib tucked under)	39 ft 11 in
E Width - axles retracted	8 ft 2 in
Width - axles extended	11 ft
F Wheelbase	12 ft
G Ground clearance - center	1 ft 5.5 in