

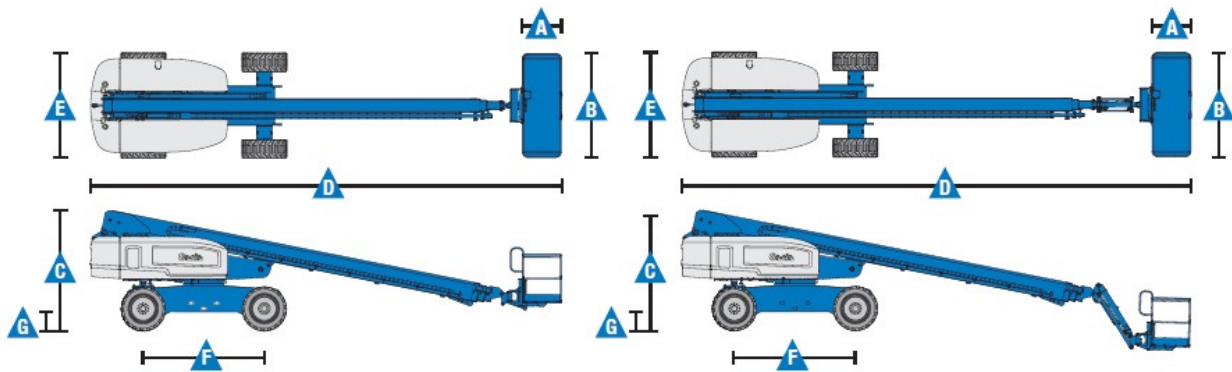


MasterRents

Address
46 Prince St
Danvers, MA 01923

Phone
978-762-RENT (7368)

80ft RT Boom Lift Dimension Sheet



Specifications

Models	S-80 X
Measurements	US
Working height maximum*	86 ft
Platform height maximum	80 ft
Horizontal reach maximum	71 ft 6 in
Below ground reach	6 ft 1 in
A Platform length - 8 ft model	3 ft
Platform length - 6 ft model	2 ft 6 in
B Platform width - 8 ft model	8 ft
Platform width - 6 ft model	6 ft
C Height - stowed	9 ft 2 in
D Length - stowed	36 ft 6 in
Length - transport (jib tucked under)	_____
E Width	8 ft 2 in
F Wheelbase	9 ft 4 in
G Ground clearance - center	13 in