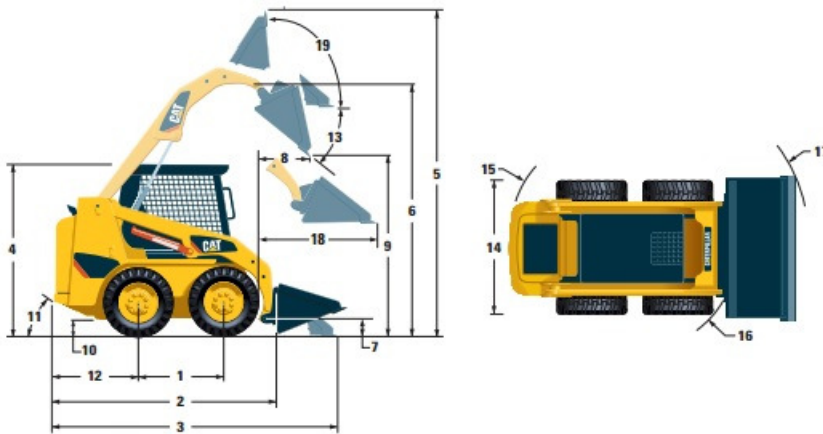




**Address**  
 46 Prince St  
 Danvers, MA 01923

**Phone**  
 978-762-RENT (7368)

## CAT 216 No Track Skid Steer Dimension Sheet



### Dimensions\*

<b>1</b> Wheelbase	986 mm	39 in
<b>2</b> Length w/o Bucket	2519 mm	99 in
<b>3</b> Length w/Bucket on Ground	3233 mm	127 in
<b>4</b> Height to Top of Cab	1950 mm	77 in
<b>5</b> Maximum Overall Height	3709 mm	146 in
<b>6</b> Bucket Pin Height at Maximum Lift	2854 mm	112 in
<b>7</b> Bucket Pin Height at Carry Position	200 mm	8 in
<b>8</b> Reach at Maximum Lift and Dump	505 mm	20 in
<b>9</b> Clearance at Maximum Lift and Dump	2169 mm	85.4 in
<b>10</b> Ground Clearance	195 mm	8 in
<b>11</b> Departure Angle	26°	
<b>12</b> Bumper Overhang Behind Rear Axle	967 mm	38 in
<b>13</b> Maximum Dump Angle	40°	
<b>14</b> Vehicle Width over Tires	1525 mm	60 in
<b>15</b> Turning Radius from Center – Machine Rear	1502 mm	59 in
<b>16</b> Turning Radius from Center – Coupler	1195 mm	47 in
<b>17</b> Turning Radius from Center – Bucket	1944 mm	77 in
<b>18</b> Maximum Reach w/Arms Parallel to Ground	1291 mm	51 in
<b>19</b> Rack Back Angle at Maximum Height	81°	