

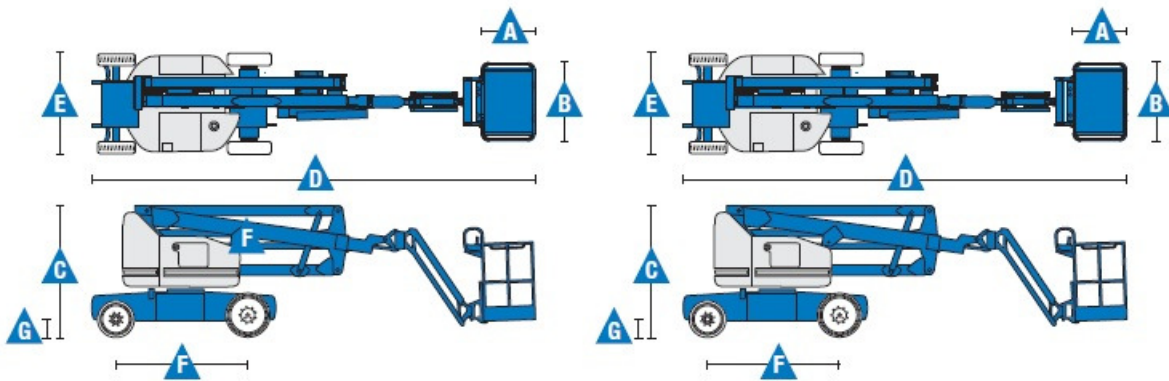


MasterRents

Address
46 Prince St
Danvers, MA 01923

Phone
978-762-RENT (7368)

Z40 23N Electric Boom Lift Dimension Sheet



Specifications

Models	Z-40/23N
Measurements	US
Working height maximum*	46 ft 5 in
Platform height maximum	40 ft 5 in
Horizontal reach maximum	22 ft 8 in
Up and over clearance maximum	21 ft 3 in
A Platform length	2 ft 6 in
B Platform width	4 ft 8 in
C Height - stowed	6 ft 6 in
D Length - stowed	21 ft 5 in
E Width	4 ft 11 in
F Wheelbase	6 ft 5 in
G Ground clearance - center	7 in